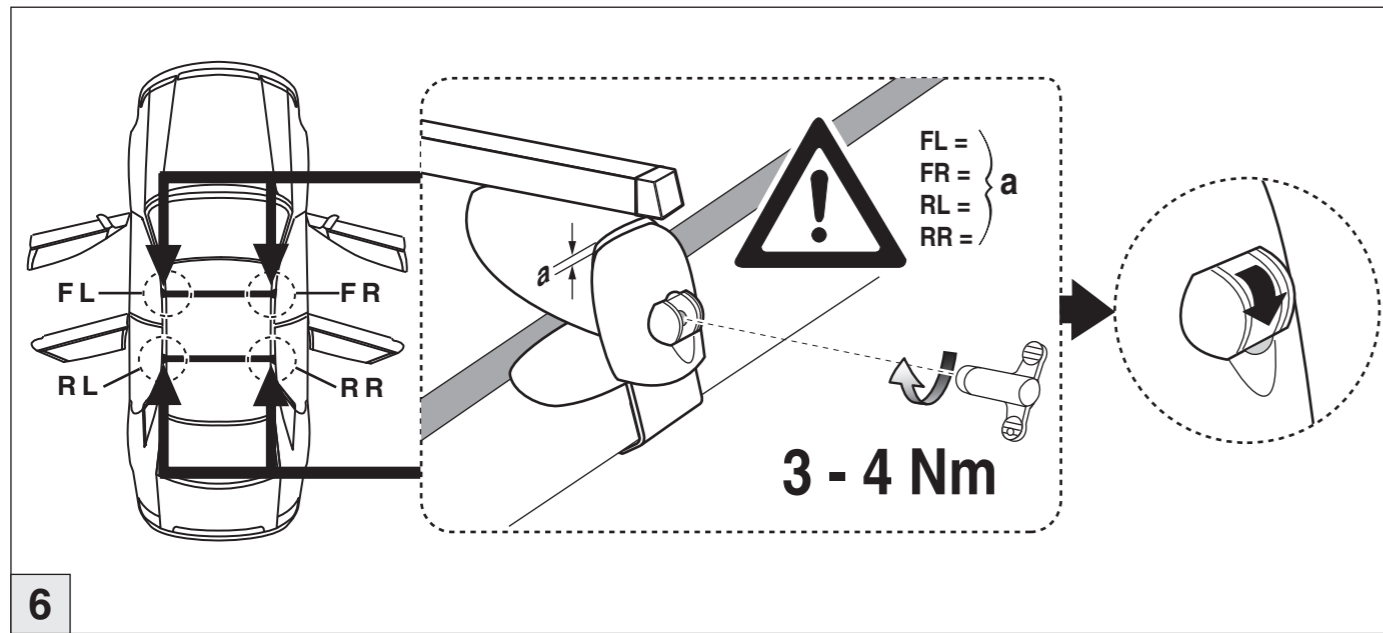


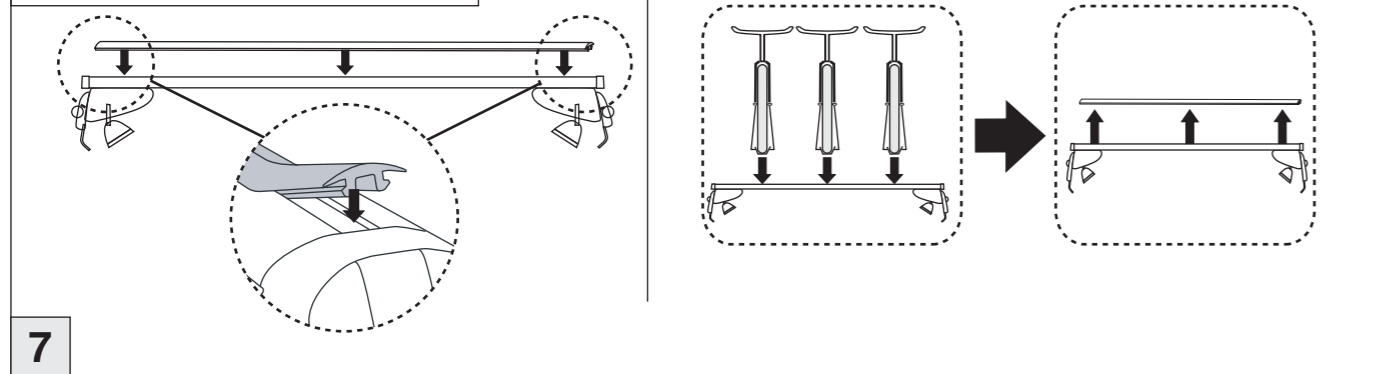
# Atera® SIGNO

Opel Agila 2008–  
Suzuki Splash 2008–

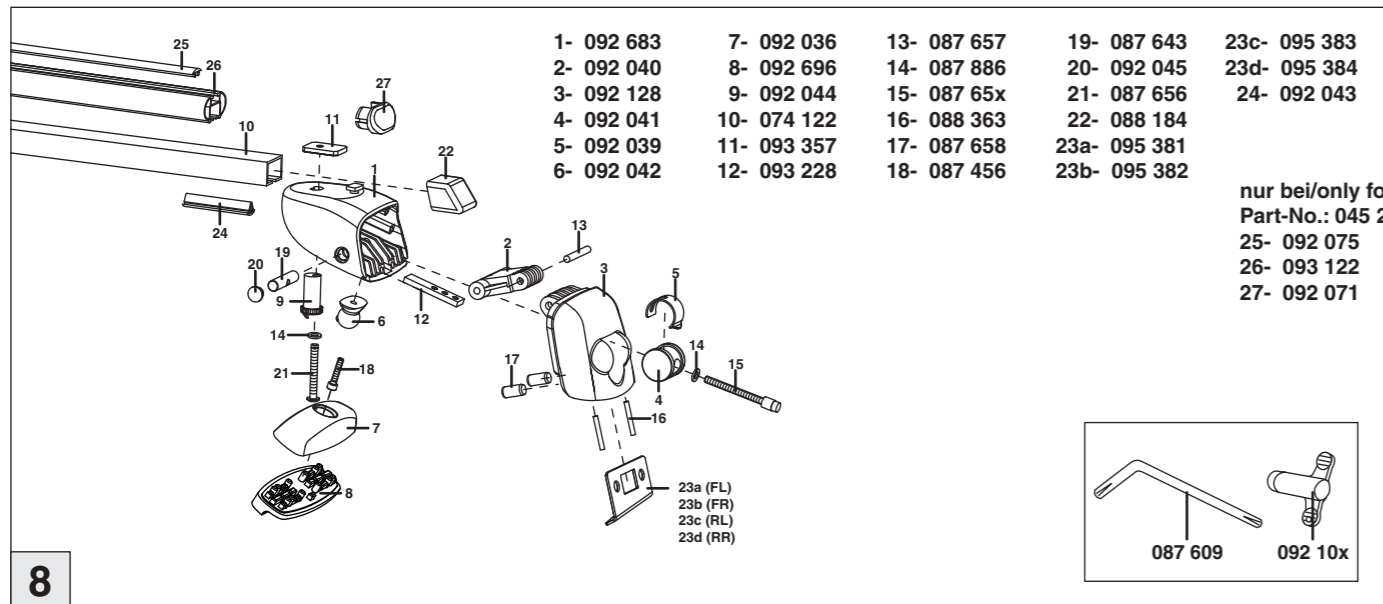


6

nur bei / only for Part-No.: 045 206



7



8

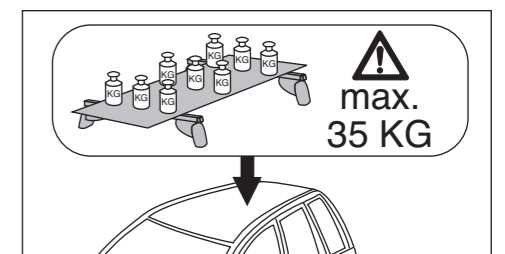
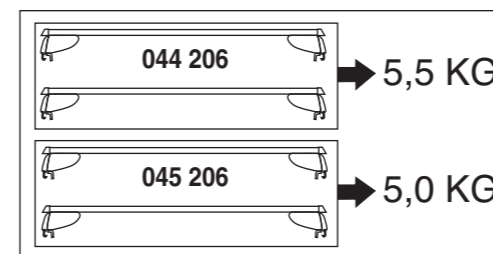
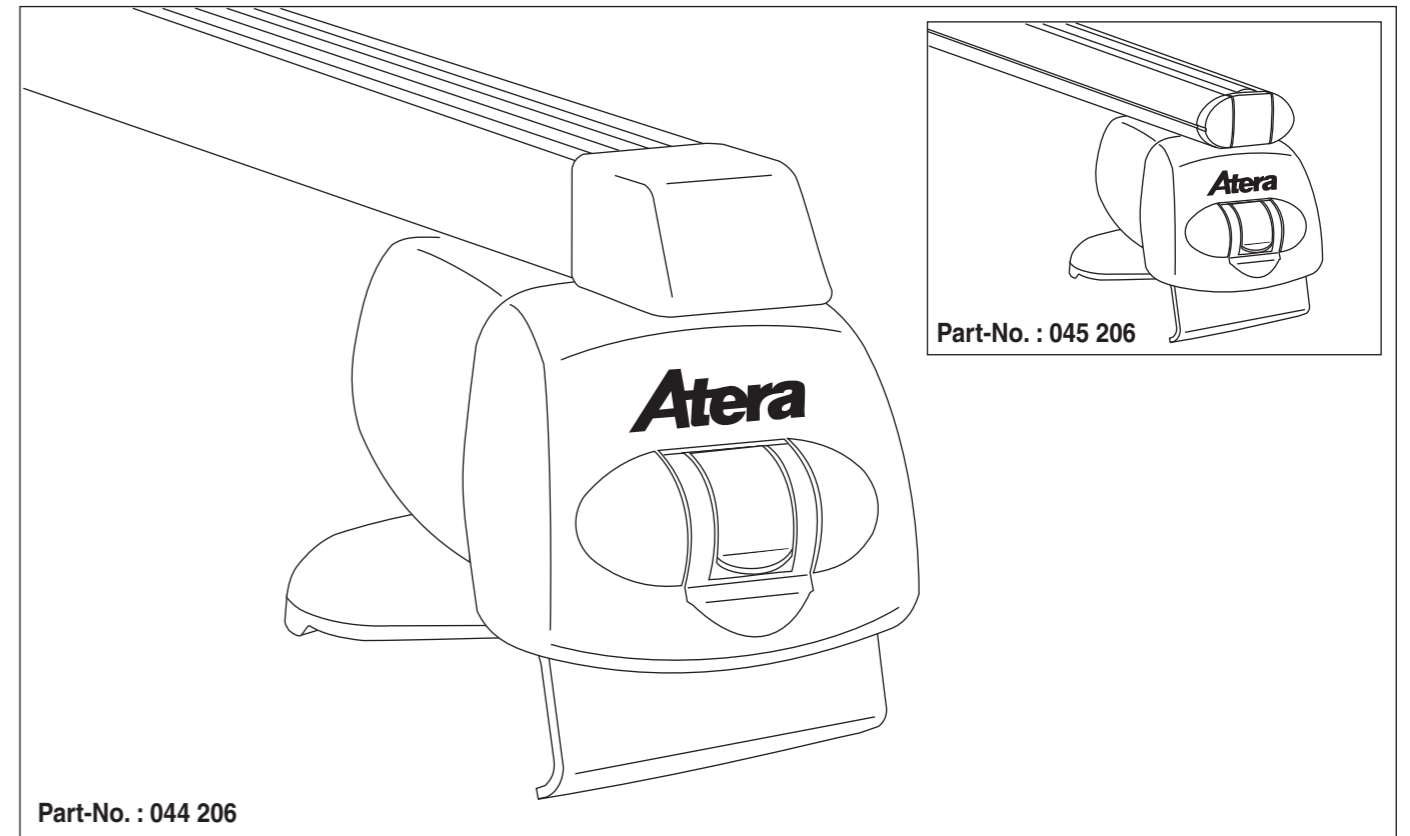
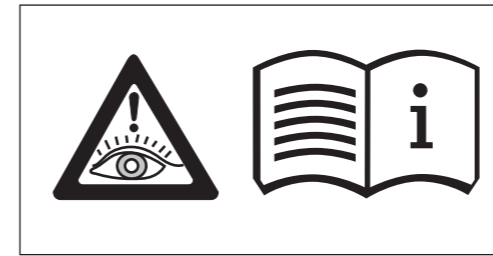
**Atera®**  
MADE IN GERMANY

Atera GmbH  
Postfach 2240  
D-88192 Ravensburg  
Telefon 07 51 - 76 04-0  
Telefax 07 51 - 76 04-76  
E-Mail: info@atera.de

# Atera® SIGNO

Opel Agila 2008–  
Suzuki Splash 2008–

Part-No. : 044 206  
Part-No. : 045 206



# Atera® SIGNO

Opel Agila 2008–  
Suzuki Splash 2008–

# Atera® SIGNO

Opel Agila 2008–  
Suzuki Splash 2008–

