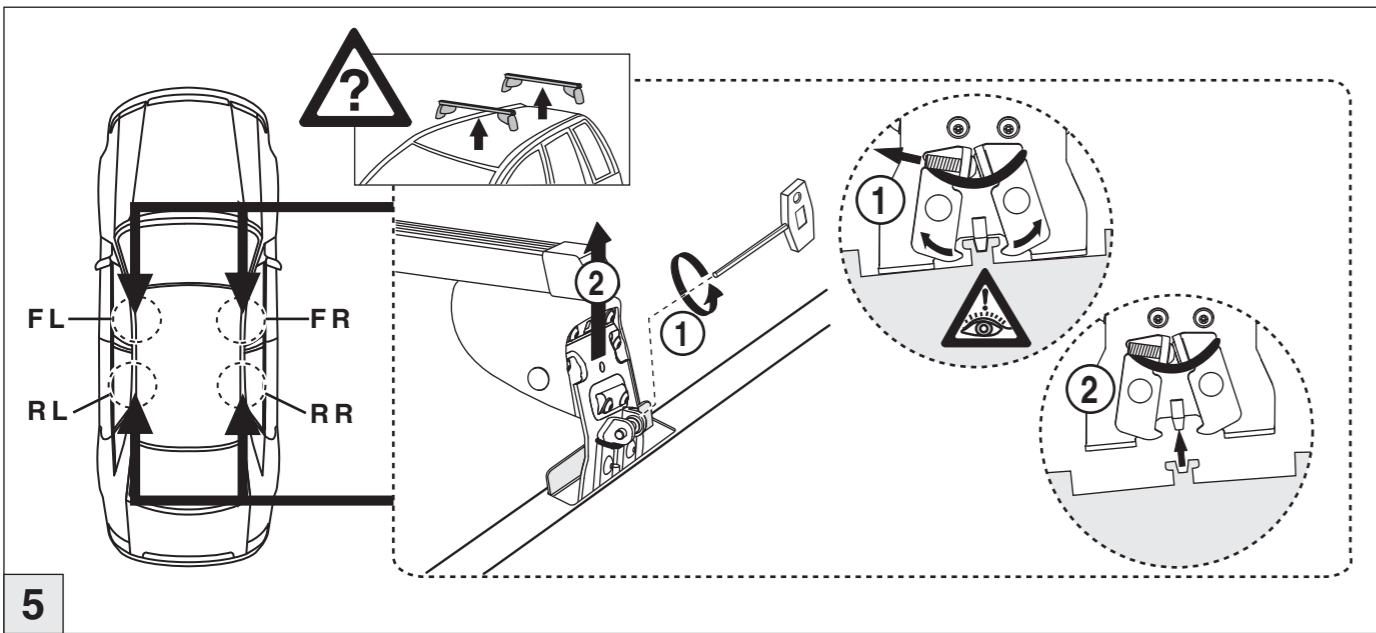


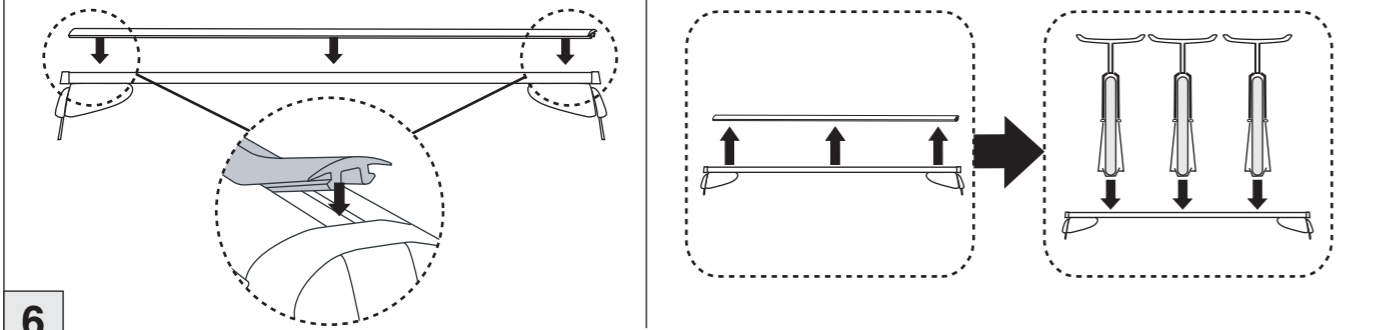
Atera® SIGNO

Peugeot
5008 11/2009–

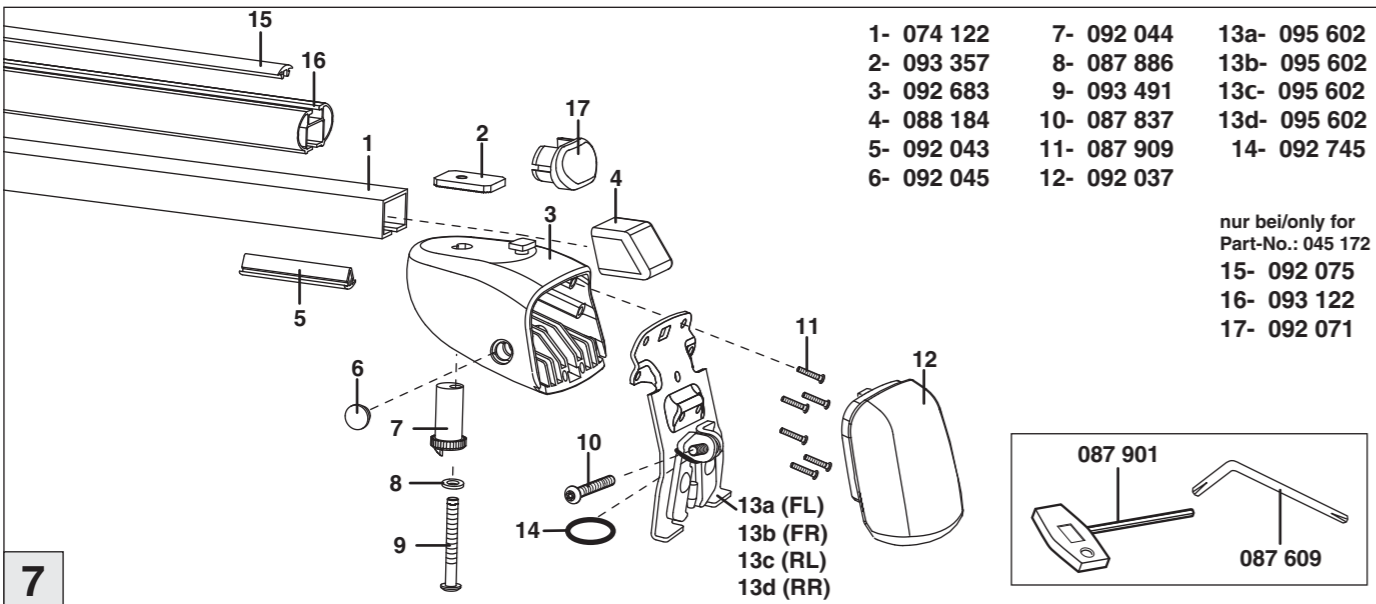


5

nur bei / only for Part-No.: 045 172



6



7

Atera®
MADE IN GERMANY

Atera GmbH
Im Herrach 1
D-88299 Leutkirch
Telefon 0 75 61 - 9 83 44-0
Telefax 0 75 61 - 9 83 44-76
E-Mail: info@atera.de

Atera® SIGNO

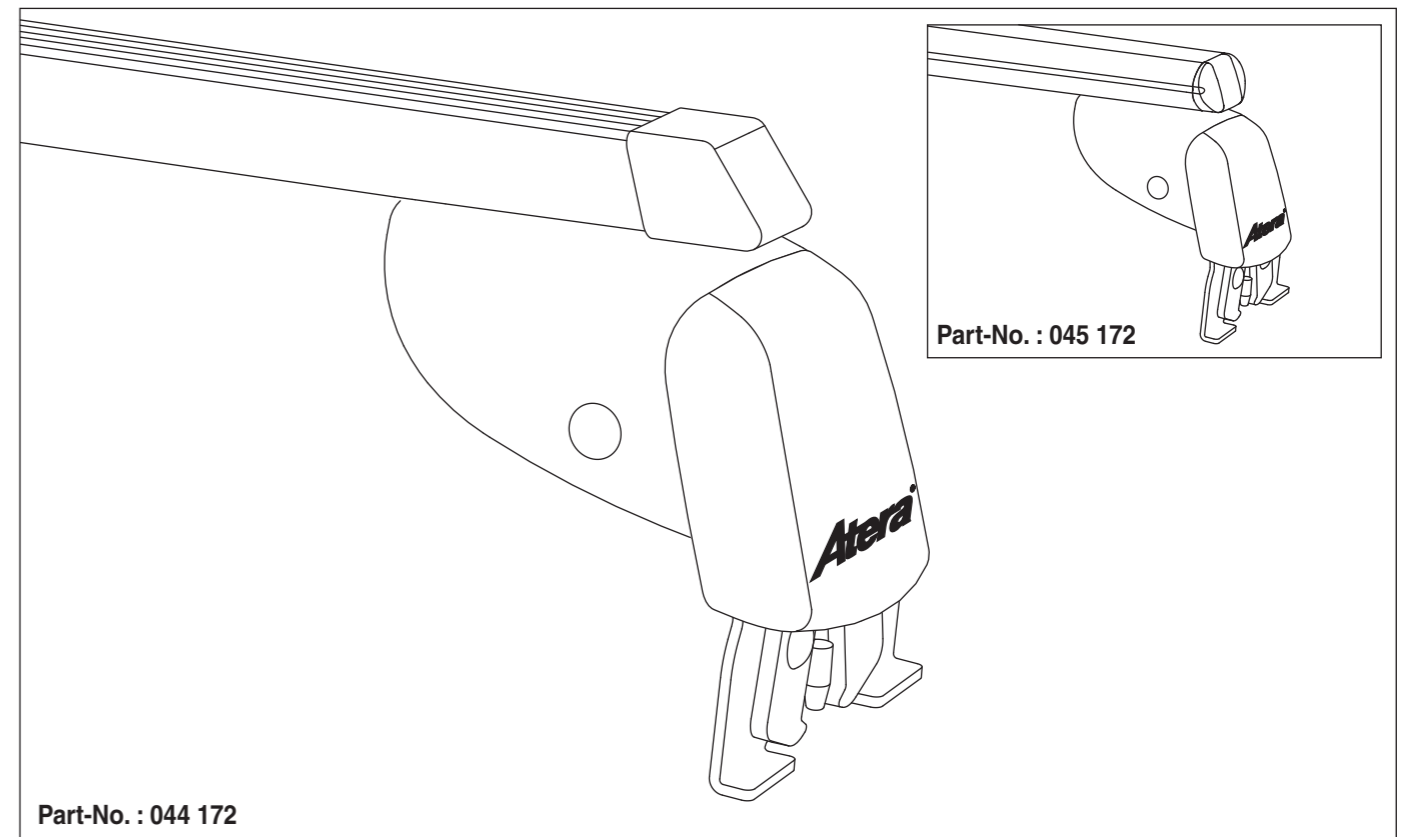
Peugeot

5008 11/2009–

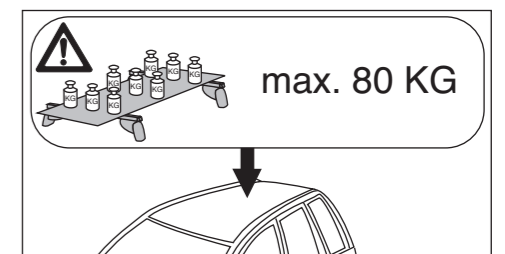
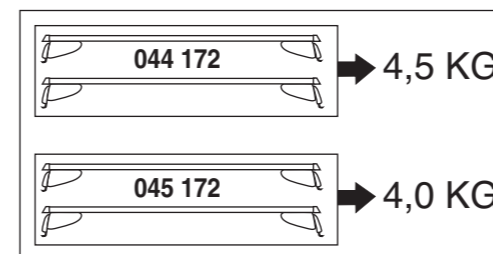
(ohne Aluminium-Dachleiste / without aluminium roof ledge)

Part-No. : 044 172

Part-No. : 045 172

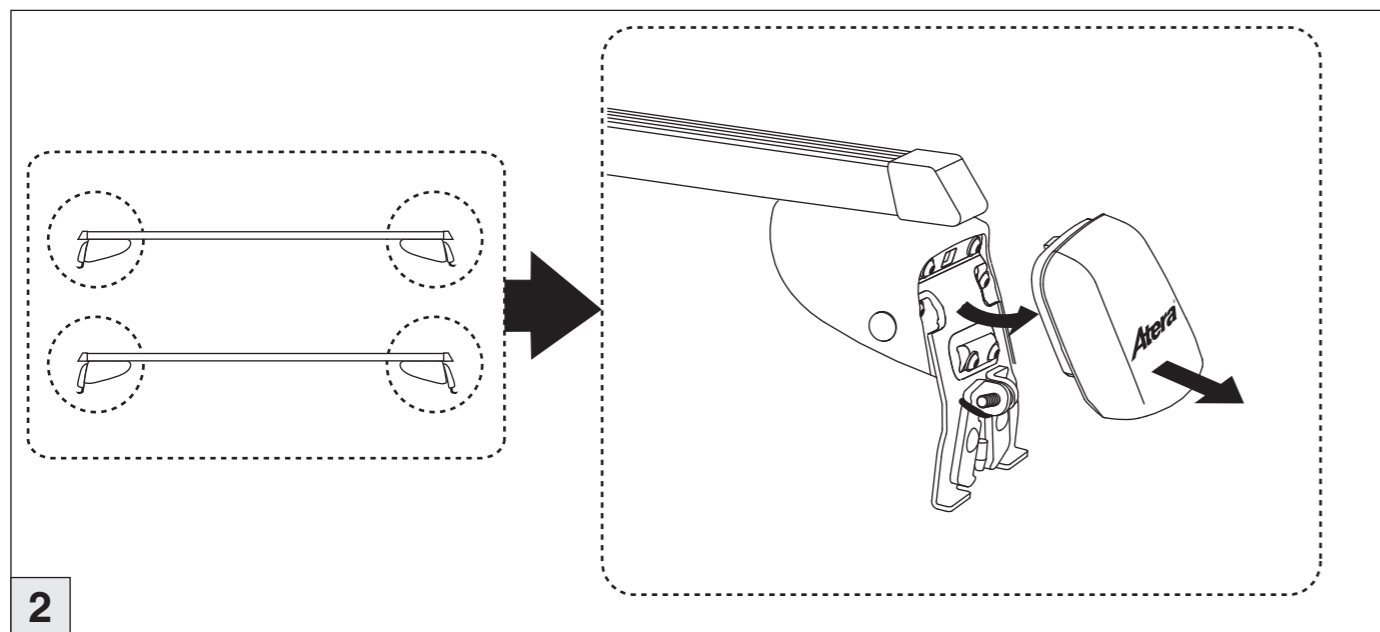
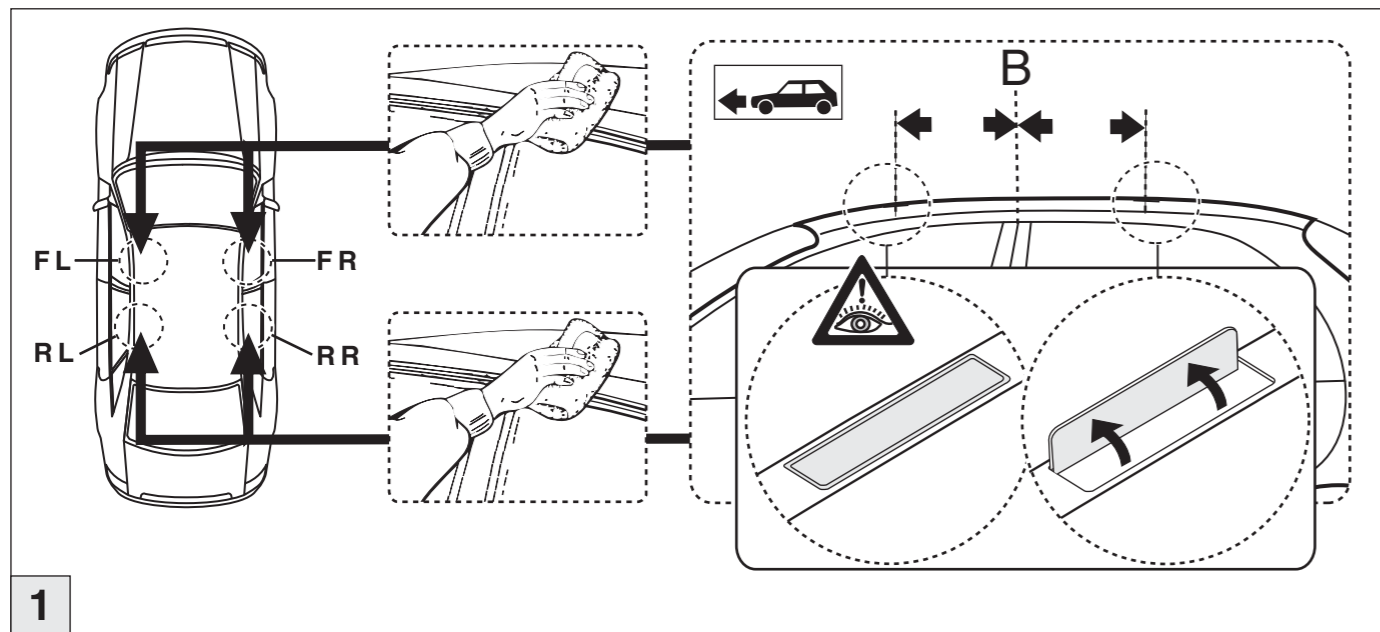
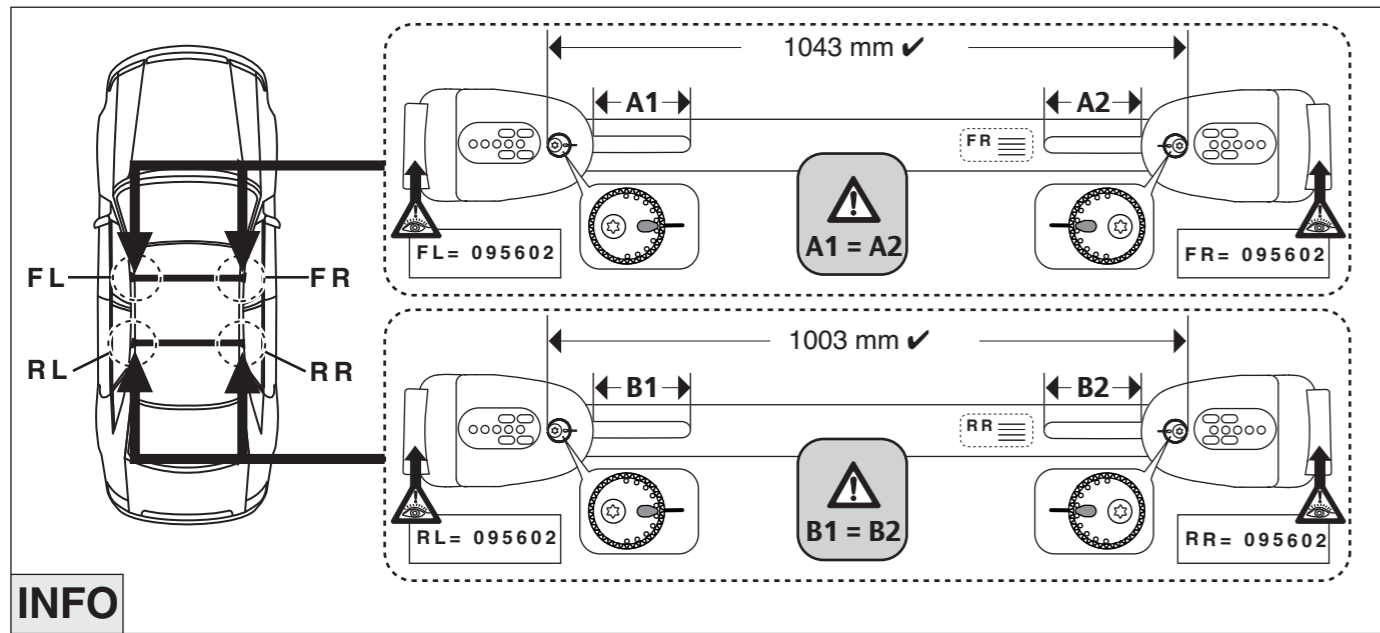


Part-No. : 044 172



Atera® SIGNO

Peugeot
5008 11/2009-



Atera® SIGNO

Peugeot
5008 11/2009-

