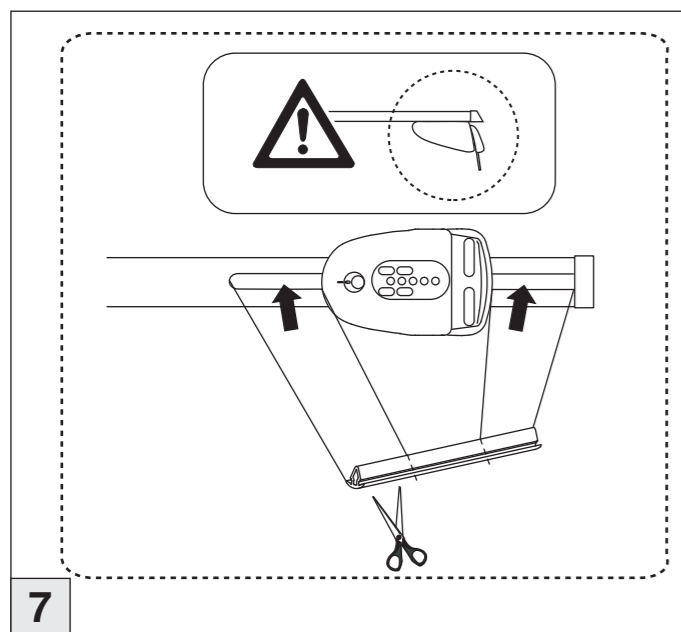
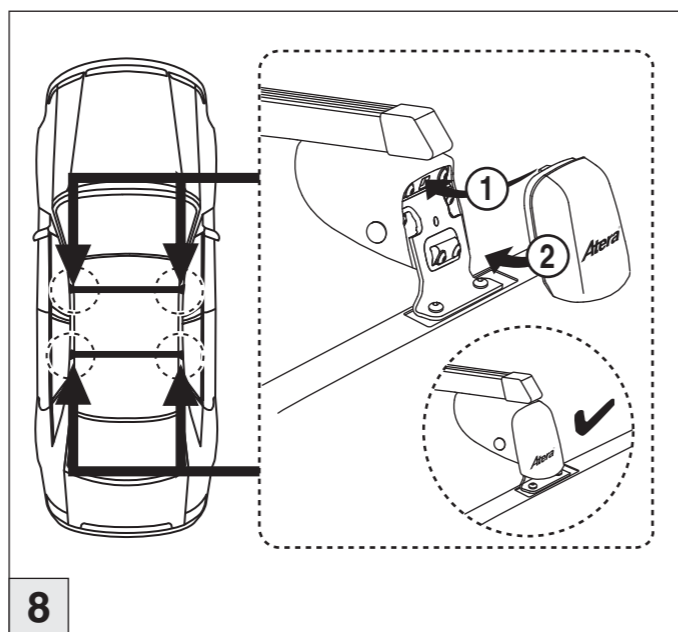


Atera® SIGNO

Honda CR-V 04/2002–12/2006
Nissan X Trail 04/2002–

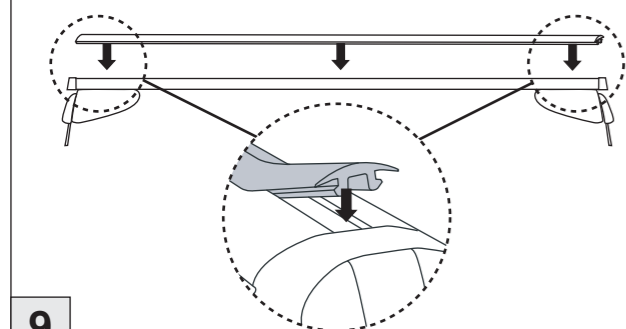


7

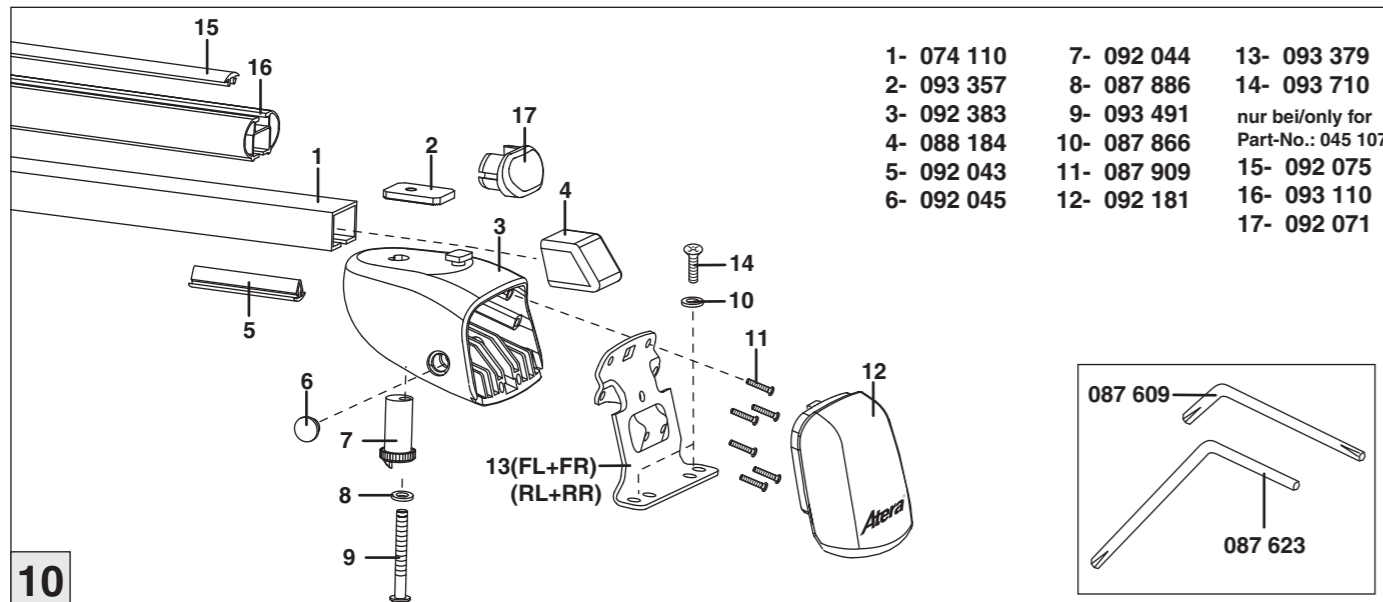
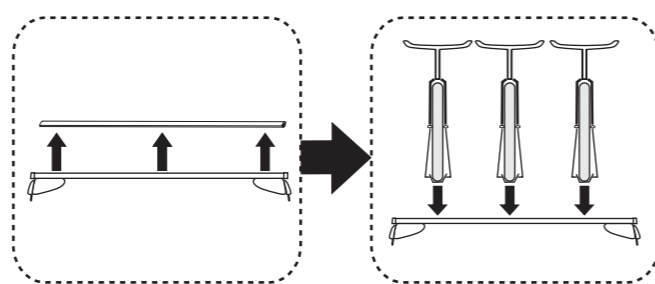


8

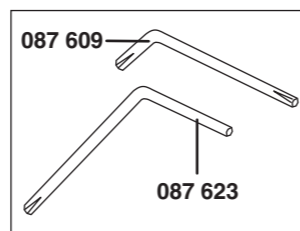
nur bei / only for Part-No.: 045 107



9



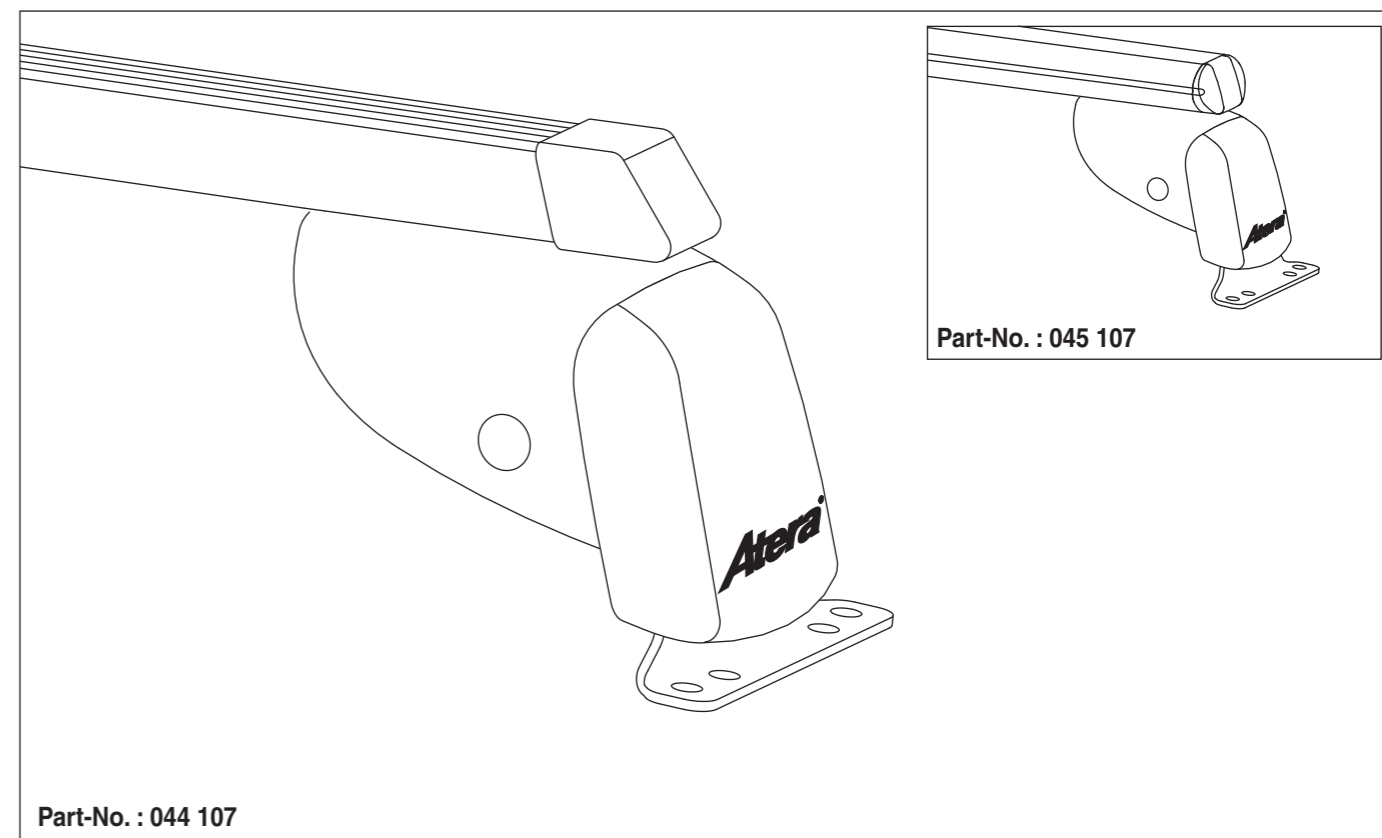
10



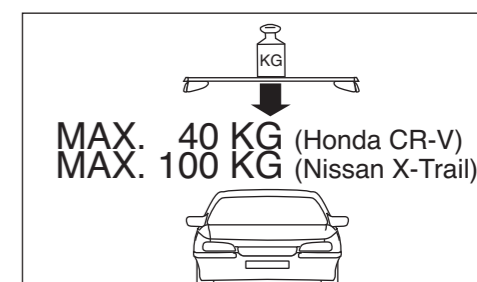
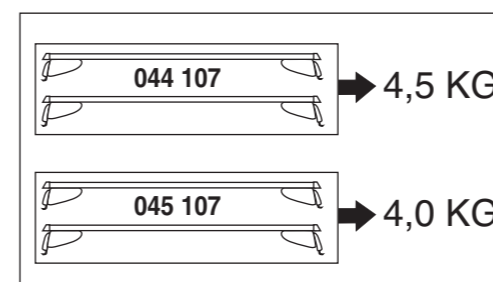
Atera® SIGNO

Honda CR-V 04/2002– 12/2006
Nissan X Trail 04/2002–

Part-No. : 044 107
Part-No. : 045 107



Part-No. : 044 107

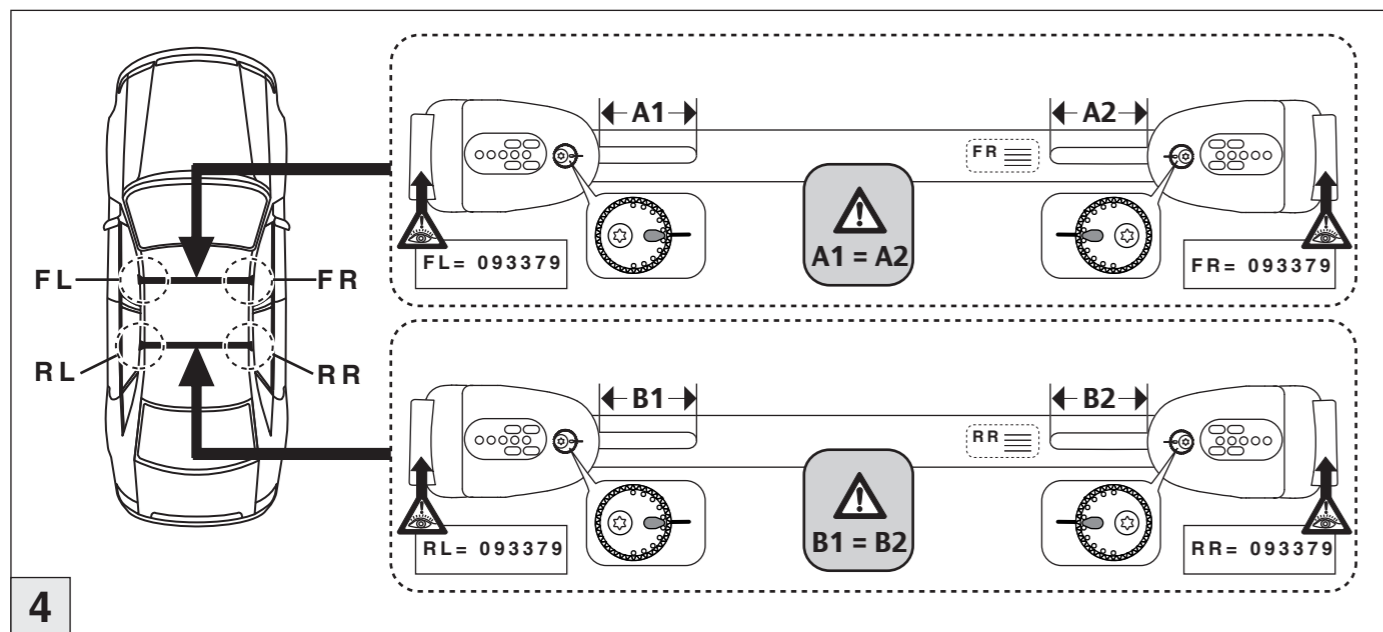
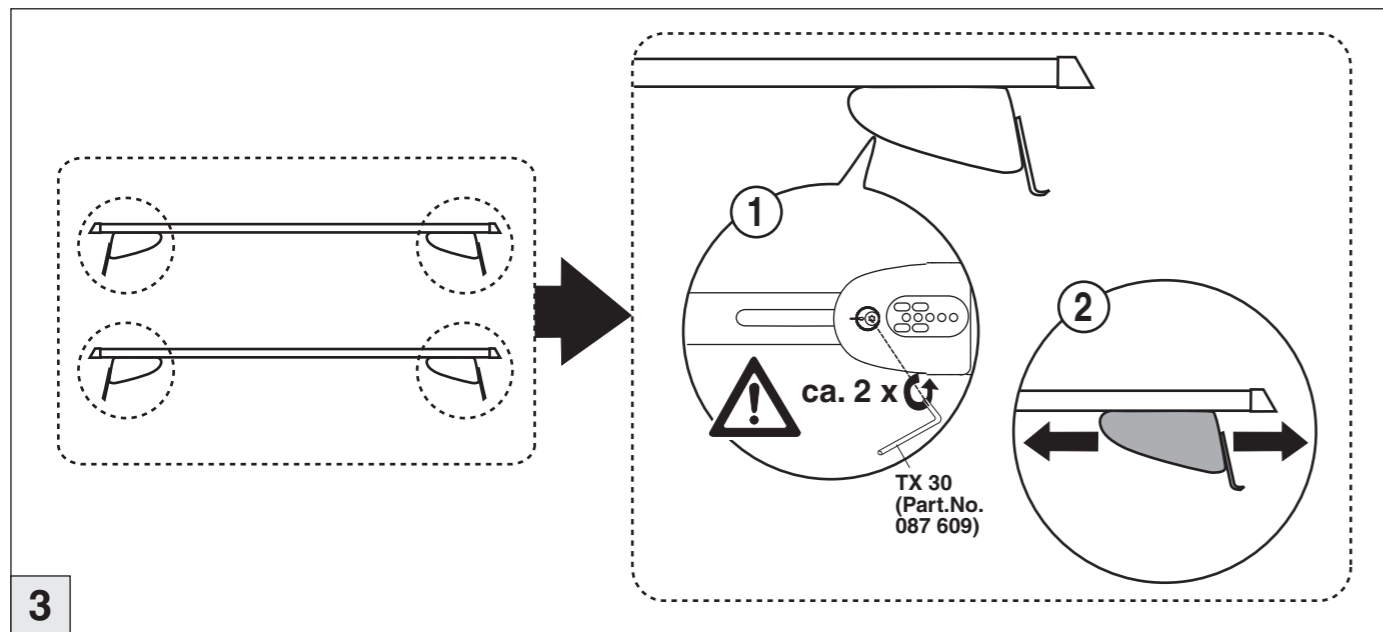
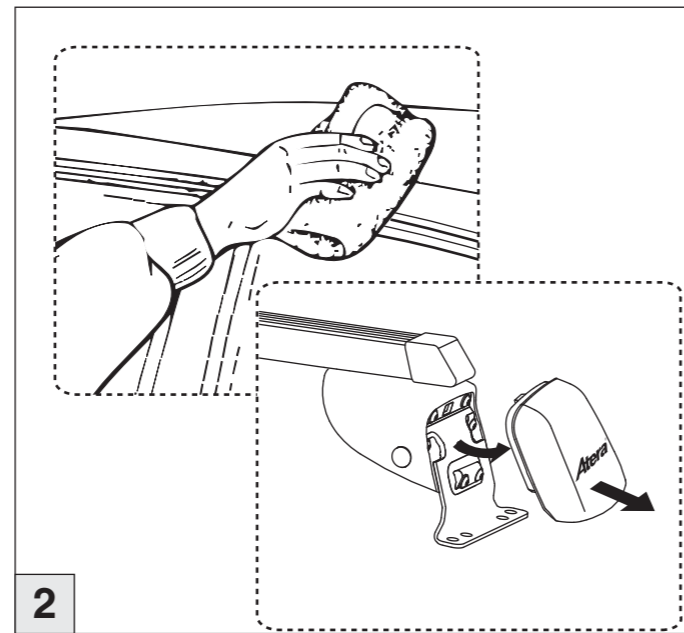
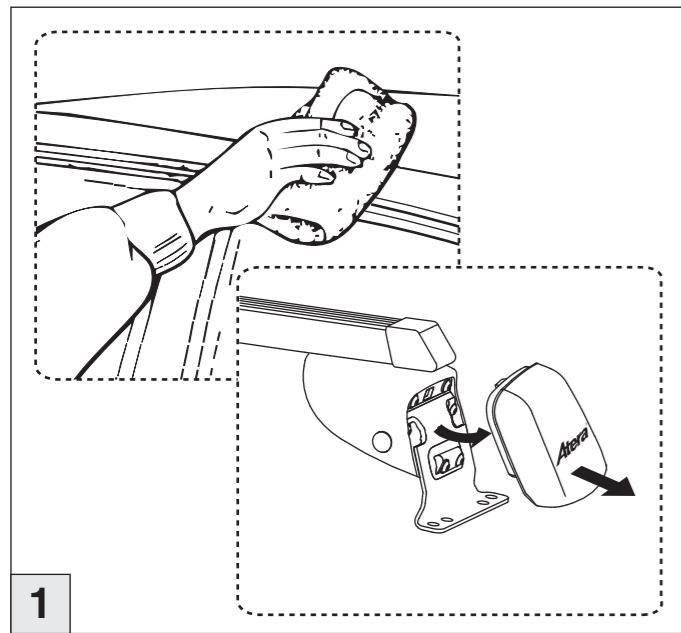


Atera®
MADE IN GERMANY

Atera GmbH
Postfach 2240
D-88192 Ravensburg
Telefon 07 51 - 76 04-0
Telefax 07 51 - 76 04-76
E-Mail: info@atera.de

Atera® SIGNO

Honda CR-V 04/2002-12/2006
Nissan X Trail 04/2002-



Atera® SIGNO

Honda CR-V 04/2002-12/2006
Nissan X Trail 04/2002-

