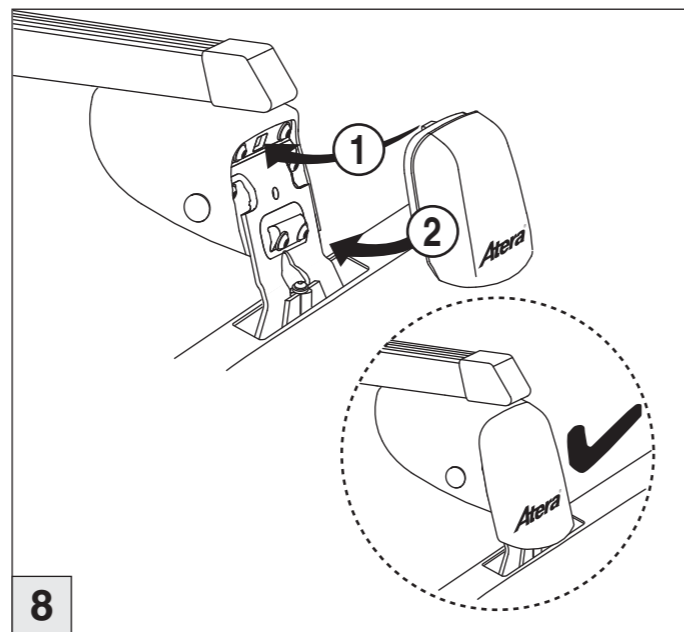
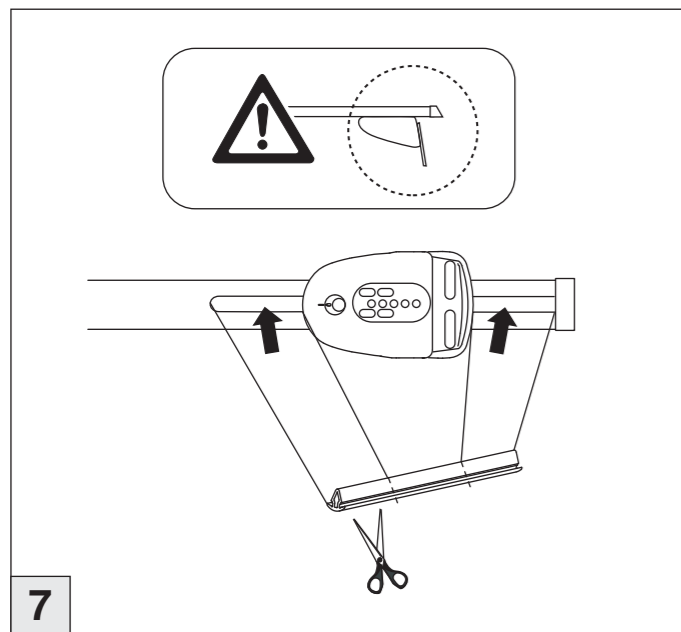


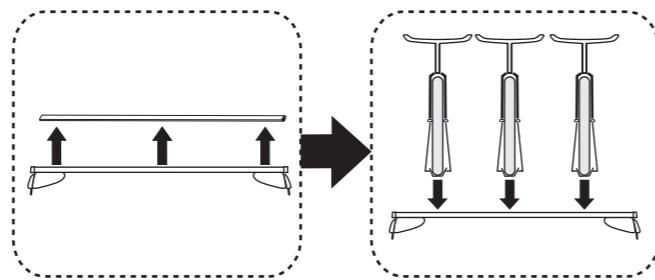
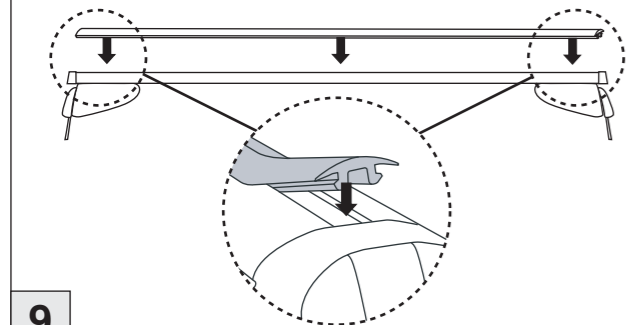
# Atera SIGNO

Ford C-Max  
Ford Focus (3+5-türig/doors/portes) 08/2003–11/2010  
12/2004–

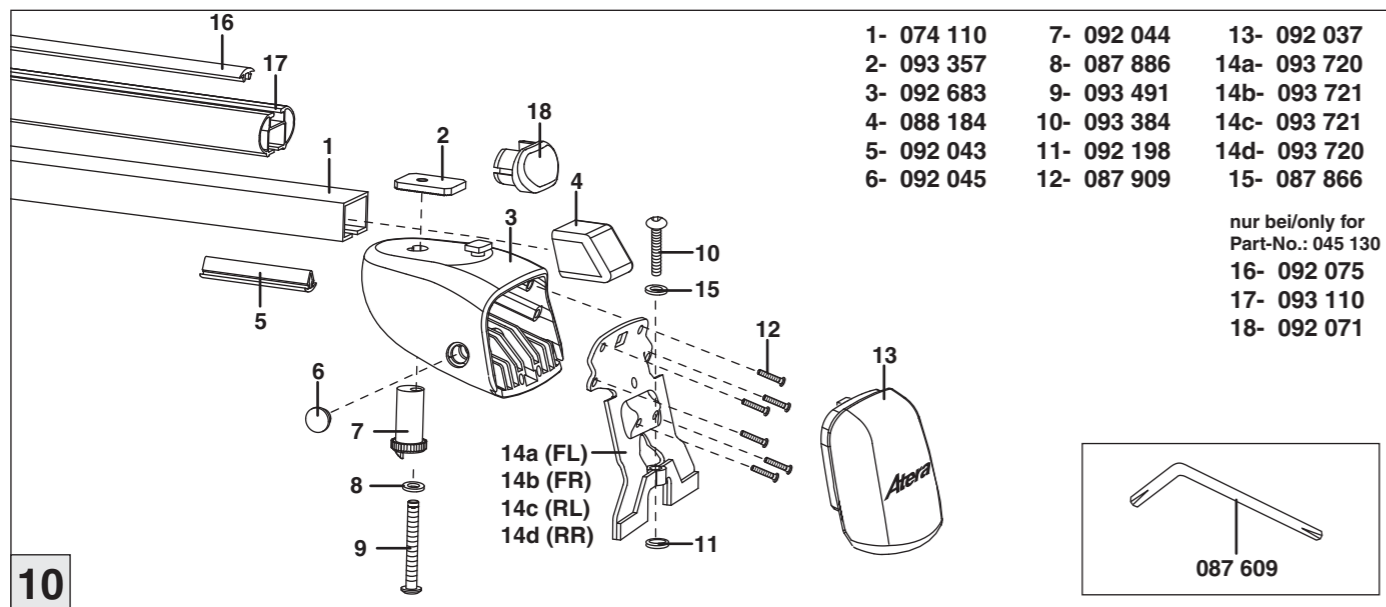
Ford Focus Kombi (o. Reling/without rail/sans barres) 12/2004–  
Ford Focus (4-türig/doors/portes) 04/2005–



nur bei / only for Part-No.: 045 130



9



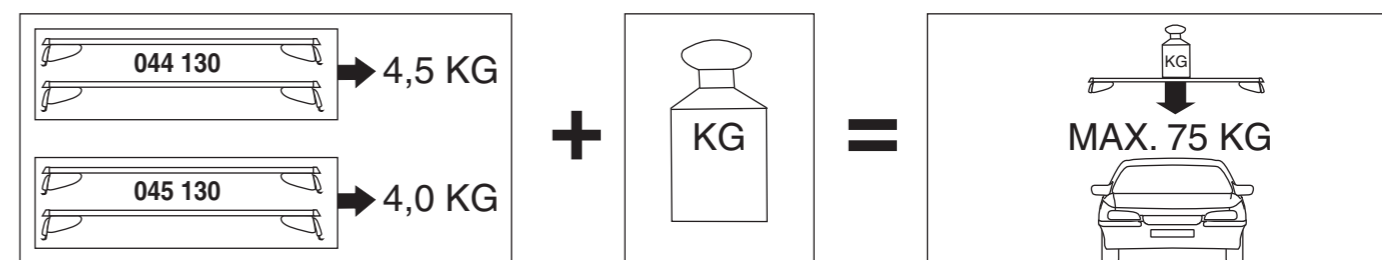
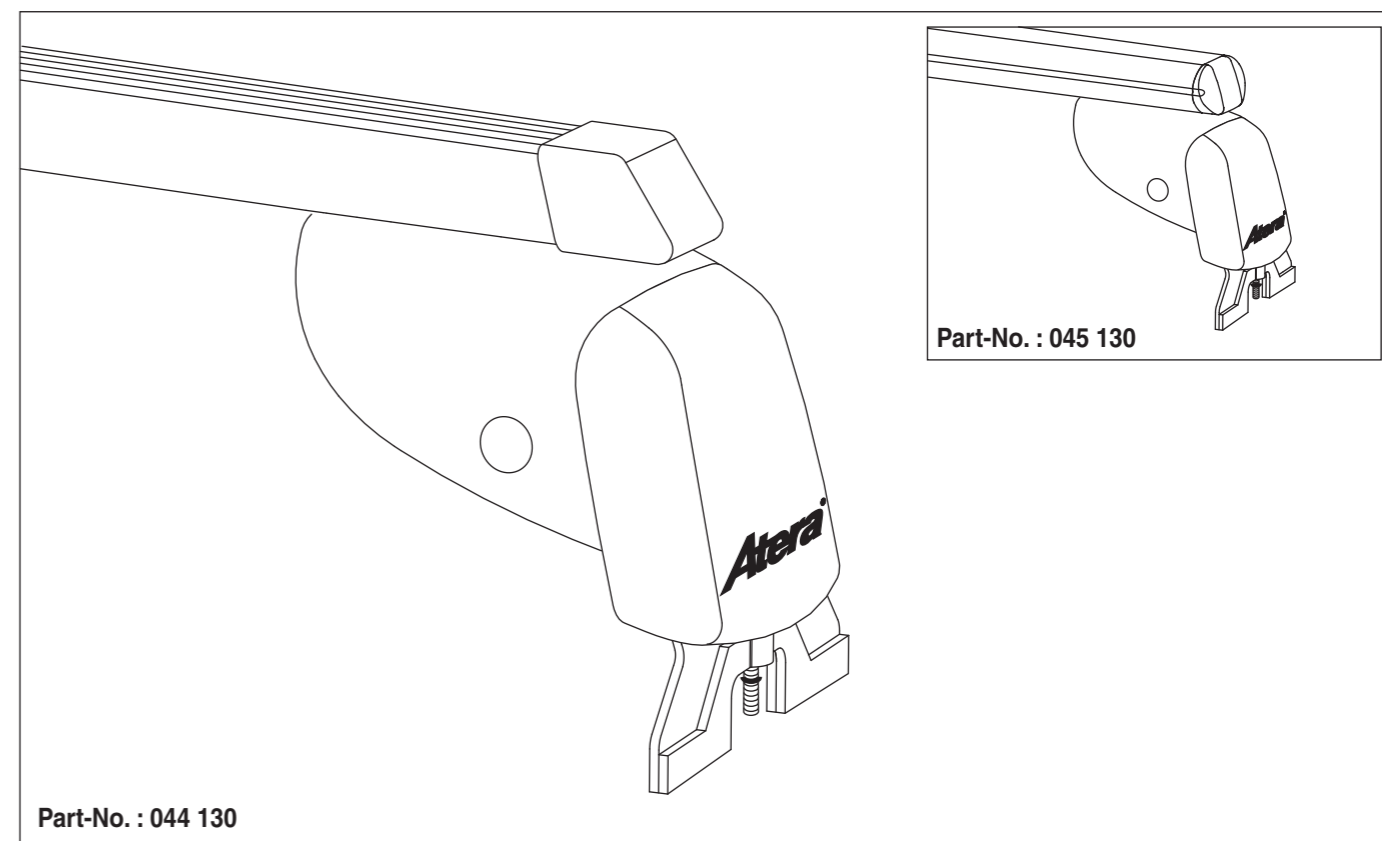
10

# Atera SIGNO



Ford C-Max 08/2003–11/2010  
Ford Focus 12/2004–  
(3+5 türig/doors/portes)  
Ford Focus Kombi 12/2004–  
(ohne Reling/without rail/sans barres de toit)  
Ford Focus 04/2005–  
(4 türig/doors/portes)

Part-No. : 044 130  
Part-No. : 045 130



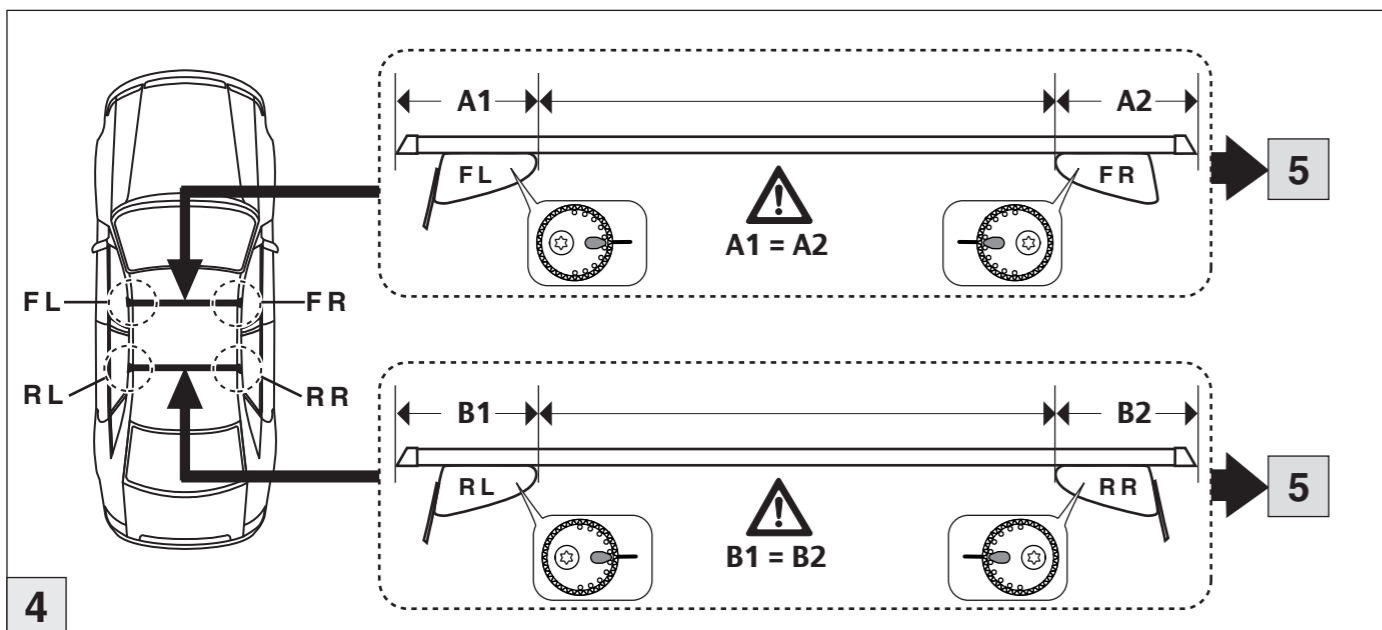
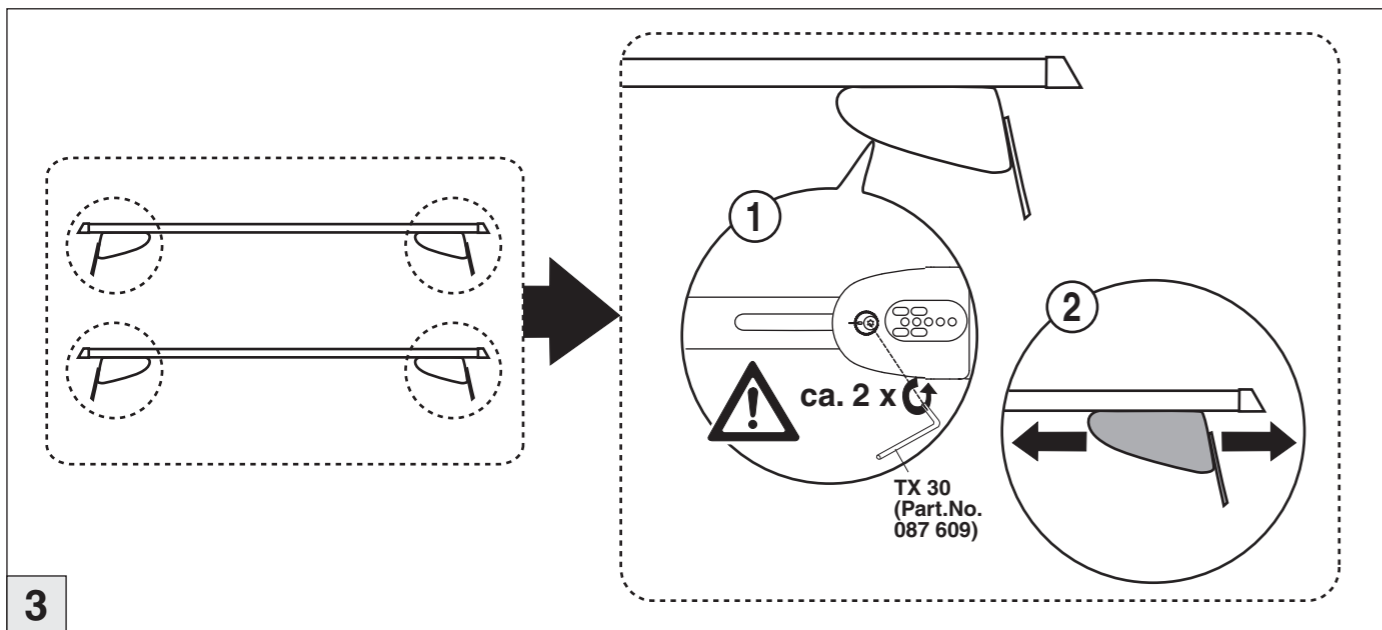
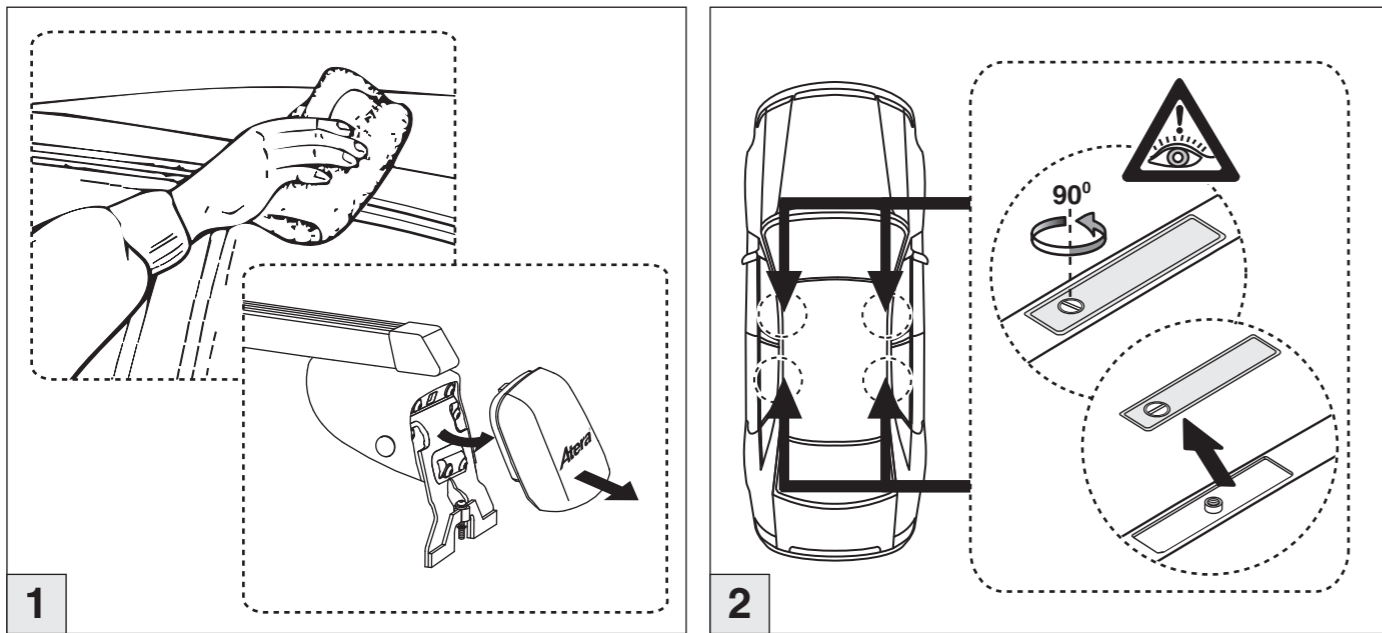
**Atera**  
MADE IN GERMANY

Atera GmbH  
Im Herrach 1  
D-88299 Leutkirch  
Telefon 0 75 61 - 9 83 44-0  
Telefax 0 75 61 - 9 83 44-76  
E-Mail: info@atera.de

# Atera SIGNO

Ford C-Max  
Ford Focus (3+5-türig/doors/portes) 08/2003–11/2010  
12/2004–

Ford Focus Kombi (o. Reling/without rail/sans barres) 12/2004–  
Ford Focus (4-türig/doors/portes) 04/2005–



# Atera SIGNO

Ford C-Max  
Ford Focus (3+5-türig/doors/portes) 08/2003–11/2010  
12/2004–

Ford Focus Kombi (o. Reling/without rail/sans barres) 12/2004–  
Ford Focus (4-türig/doors/portes) 04/2005–

