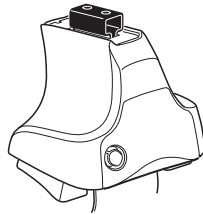


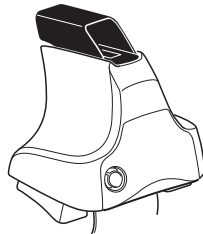
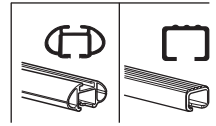
Kit 1720

HONDA Accord, 4-dr Sedan, *13-

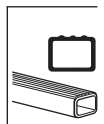
*North America




754 Rapid System
480R Rapid Traverse (North America)


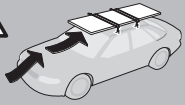
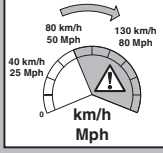


480 Traverse (North America)







 $xx \text{ kg} + 7 \text{ kg} =$
 $xx \text{ lbs} + 15,4 \text{ lbs} =$

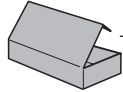

Max. 50 kg
Max. 110 lbs







80 km/h 50 Mph
 130 km/h 80 Mph
 40 km/h 25 Mph
km/h Mph

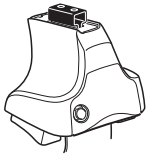

THULE


Kit XXXX
instructions






x1

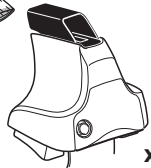


 **x4**
754 Rapid System

 **x4**
480R Rapid Traverse (North America)

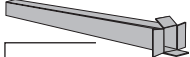
 **x4**
 **x4**


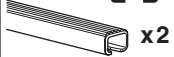


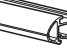




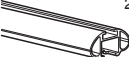


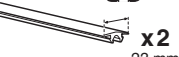
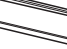
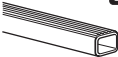
754 Rapid System
480R Rapid Traverse (North America)

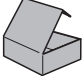
 **x1**


 **x4**
 **x4**
 **x4**

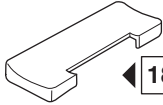
480 Traverse (North America)

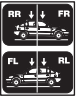


 x2  x2  x2  x2  x4  x4	 x1  x2  x2  x2  x4	<p>(North America)</p>  x2  x2  x2  x2
--	--	---

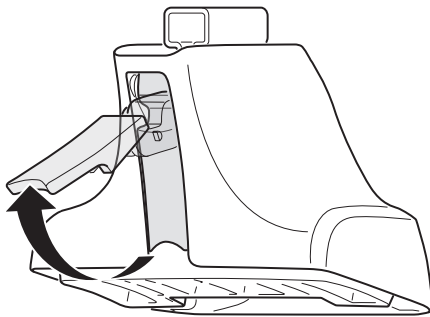


 **679 x4**

 **182 x4**

 **x1**

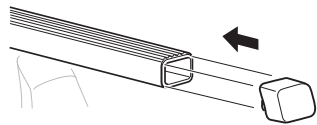
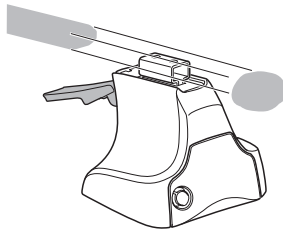
1



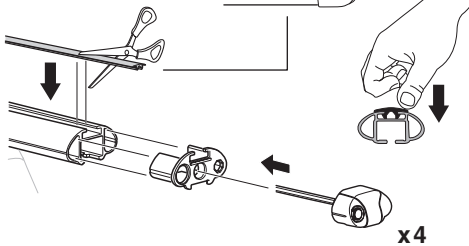
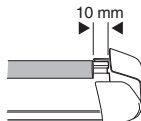
2



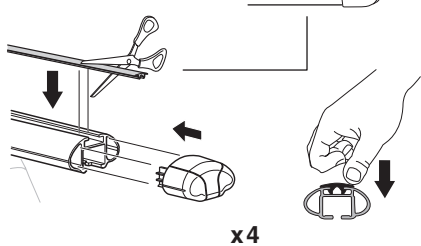
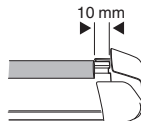
754 Rapid System
480R Rapid Traverse
(North America)



x4



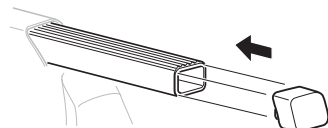
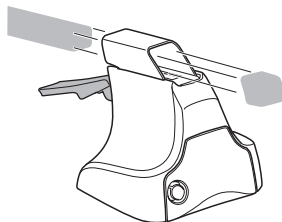
x4



x4

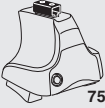


480 Traverse
(North America)

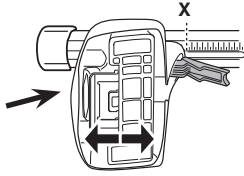


x4

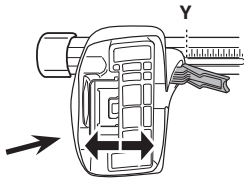
3



754 Rapid System



	X
HONDA Accord, 4-dr Sedan, *13-	41



	Y
HONDA Accord, 4-dr Sedan, *13-	41,5

3



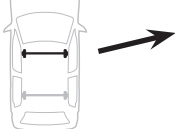
480R Rapid Traverse



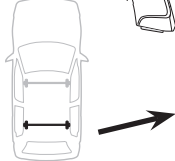
480 Traverse



(North America)

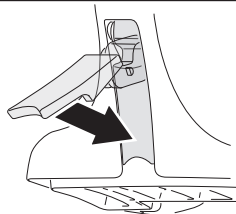


	X inch	X mm
HONDA Accord, 4-dr Sedan, *13-	41 3/4"	1061 mm



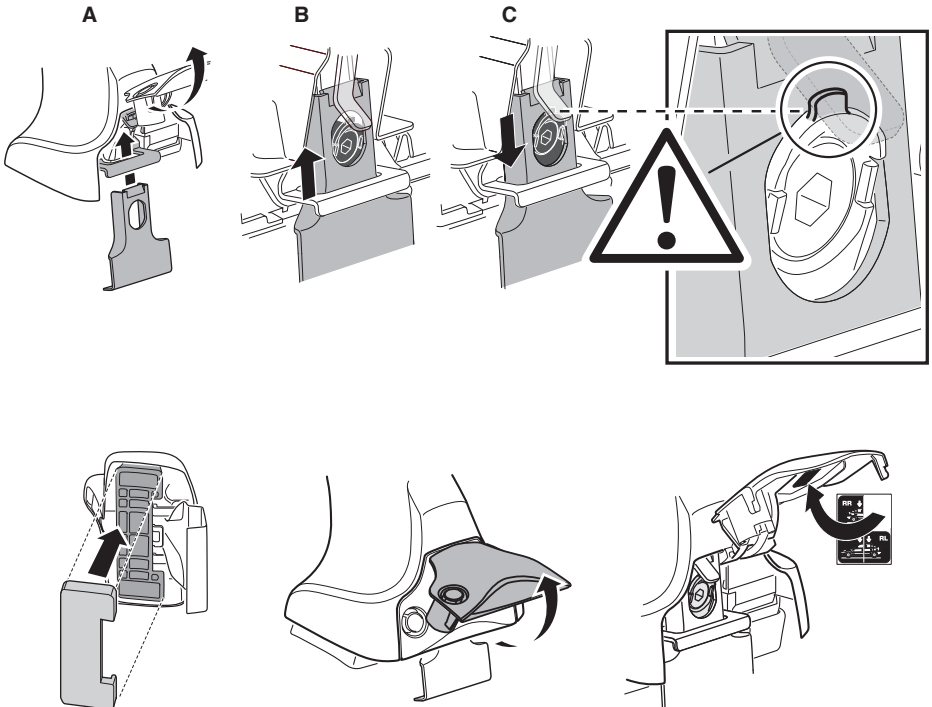
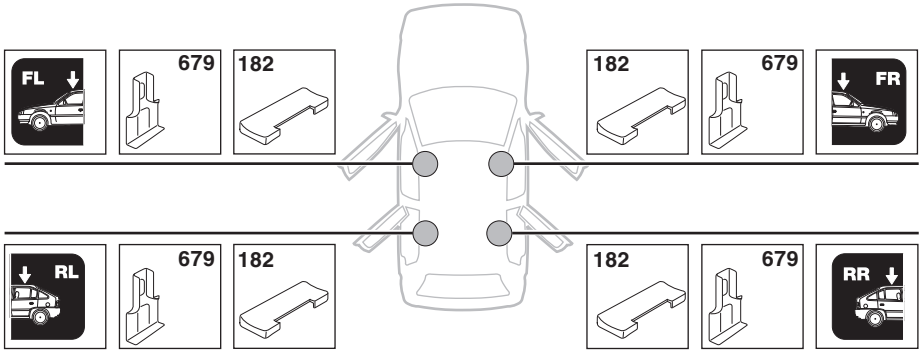
	Y inch	Y mm
HONDA Accord, 4-dr Sedan, *13-	42"	1066 mm

4

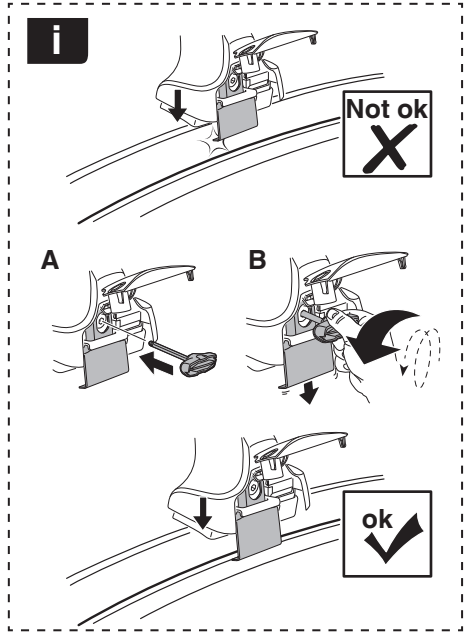
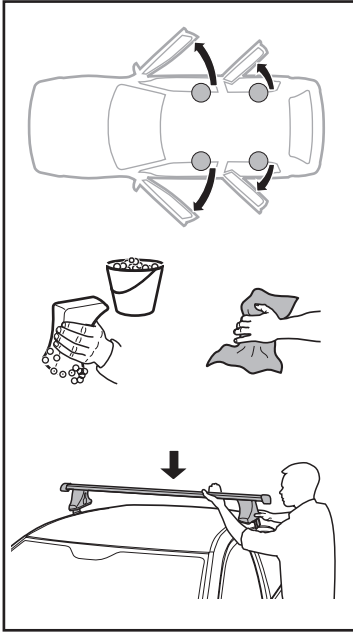


5

HONDA Accord, 4-dr Sedan, *13-

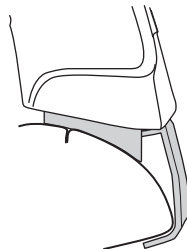
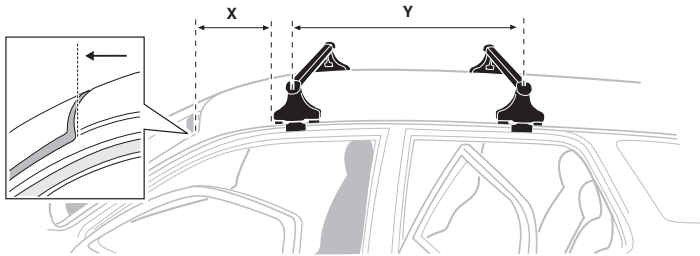


6

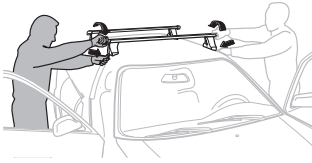


HONDA Accord, 4-dr Sedan, *13-

X mm	Y mm	X inch	Y inch
279 mm	660 mm	11 "	26 "



7



GB/US Tighten alternately
D Die Schrauben abwechselnd anziehen
F Serrer alternativement chaque côté
NL Afwisselend aan de linker- en de rechterkant aandraaien
I Alternare il serraggio delle viti
E Apertar alternativamente
PT Aperte alternadamente
S Dra åt växelvis
FIN Kierrä vuorotellen
EST Pinguldage vaheldumisi
LAT Pielveiciet pamišus
LIT Užsukinėkite pakaitomis
PL Śruby dokręcaj naprzemiennie
RU Затягивайте попеременно

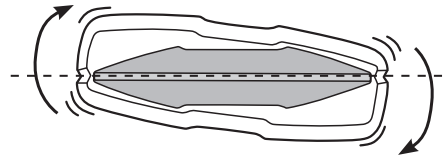
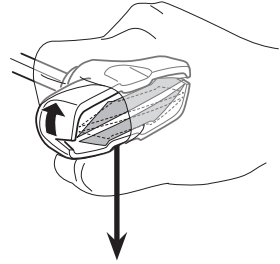
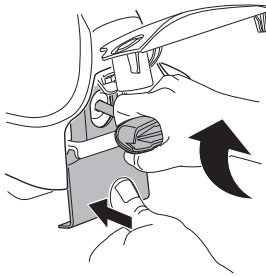
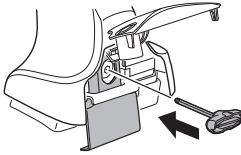
CZ Pokręťta bagażnika dokręcaj naprzemiennie.
SK Dofahajte striedavo
SLO Privijajte izmenično.
HR Naizmjenočno zategnite
HU Egymástól függetlenül szorítandó
GR Σφιγγείτε εναλλάξ
TR Dönüşümlü sıkın

中文 交替拧紧

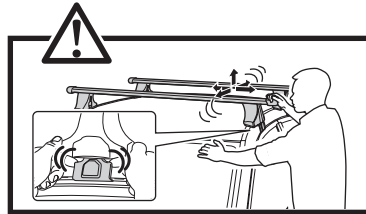
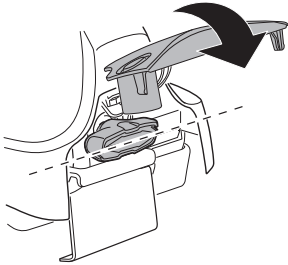
한국어 번갈아 가며 조이십시오.

日本語 交互に締め付けてください。

ไทย ชันในแบบสลับ



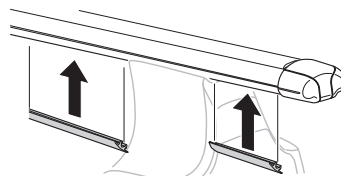
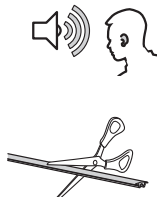
≈ 3 Nm

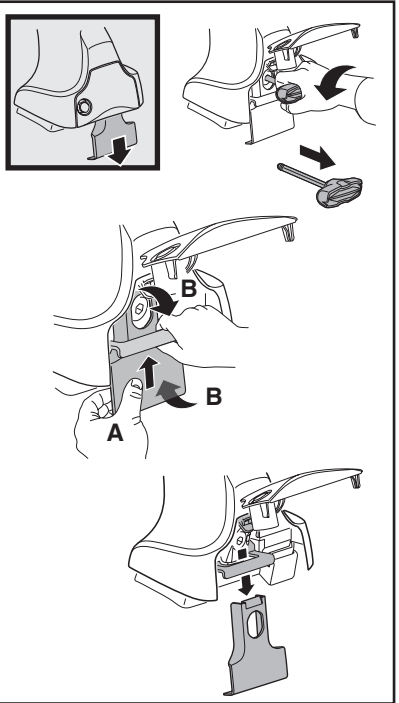
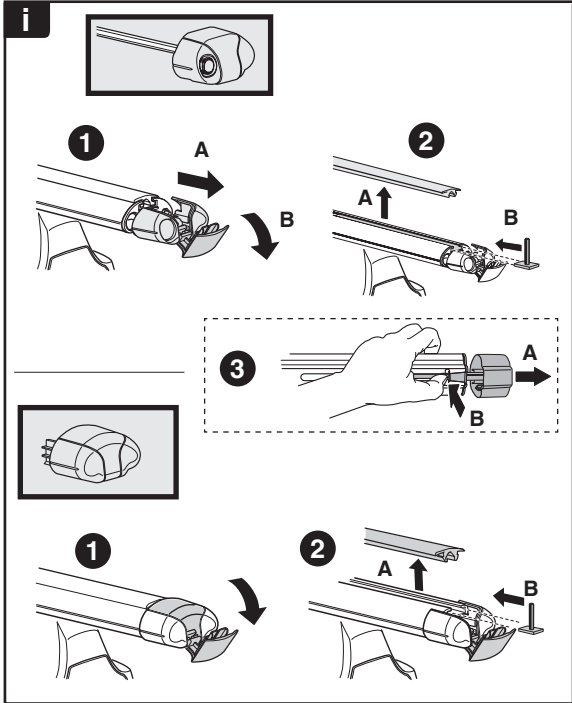
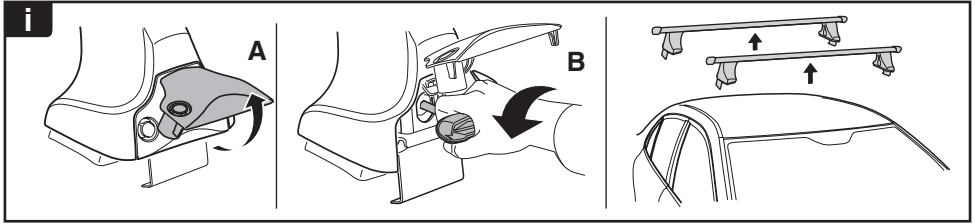


8

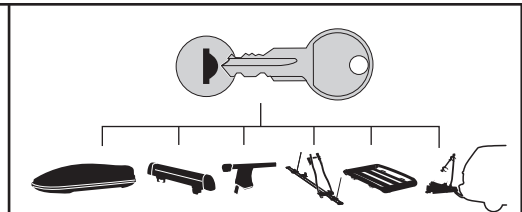


x1
17 mm

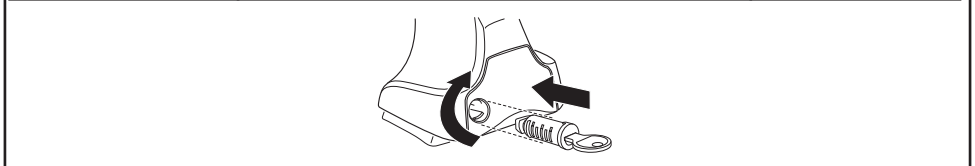




THULE
SWEDEN
**ONE
KEY
SYSTEM**



- 544** (x4)
 - 596** (x6)
 - 588** (x8)
 - 510** (x10)
 - 452** (x12)
- NA
EUR
ASIA



WW ▶ Thule Sweden AB, Box 69, 330 33 Hillerstorp, SWEDEN
NA ▶ Thule Inc., 42 Silvermine Road, Seymour, Connecticut 06483, USA

info@thule.com
customer.service@thule.com

www.thule.com