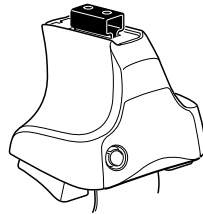
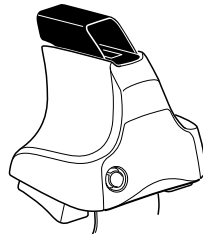


Kit 1673

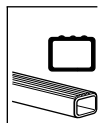
VOLVO V60, 5-dr Estate, 11- (Without railing)




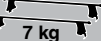

754 Rapid System
480R Rapid Traverse (North America)



480 Traverse (North America)


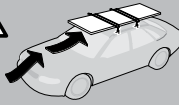


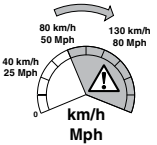

 xx kg
 xx lbs


 + 
 =


7 kg
 15,4 lbs



Max.
75 kg
Max.
165 lbs

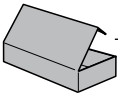







80 km/h
 50 Mph
 130 km/h
 80 Mph
 40 km/h
 25 Mph
km/h
Mph


THULE


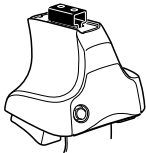

Kit XXXX
Instructions







x1

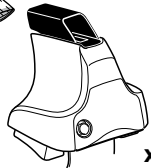



x4
 754 Rapid System


x4
 480R Rapid Traverse
 (North America)

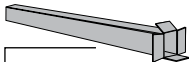

x4

x4


754 Rapid System
480R Rapid Traverse (North America)



x1



x4

x4

x4


480 Traverse (North America)




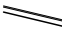

x2



x2
 23 mm



x1
 17 mm



x2
 23 mm



x2
 23 mm



x2


x2



x4



x2



x4

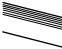

x4

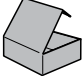
(North America)



x2
 23 mm


x2
 23 mm

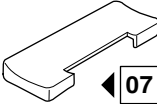

x2


x2

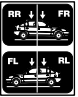




1104 **x1**
1105 **x1**
1119 **x1**
1120 **x1**



07 **x2**
74 **x1**
75 **x1**


x1

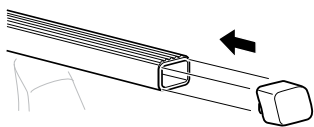
1



2



754 Rapid System
480R Rapid Traverse
(North America)



x4



x4



x4



480 Traverse
(North America)



x4

3



754 Rapid System

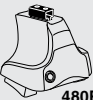


	X
VOLVO V60, 5-dr Estate, 11- (Without railing)	42



	Y
VOLVO V60, 5-dr Estate, 11- (Without railing)	36

3

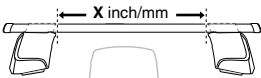


480R Rapid Traverse



480 Traverse

(North America)

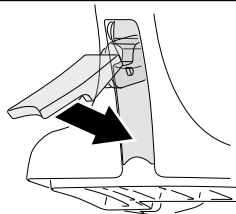


	X inch	X mm
VOLVO V60, 5-dr Estate, 11- (Without railing)	42 1/8"	1071 mm



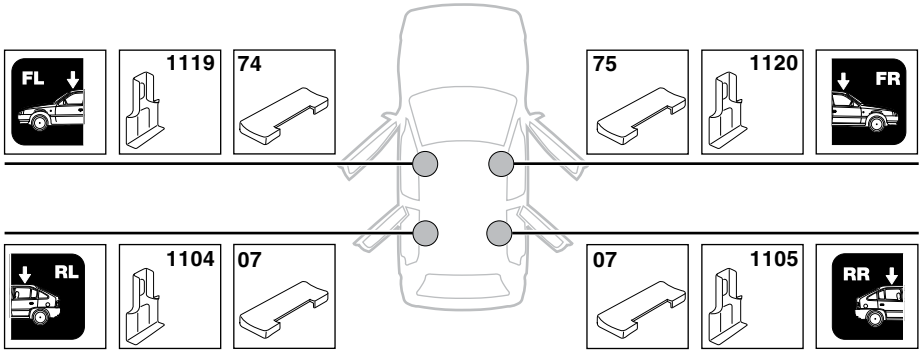
	Y inch	Y mm
VOLVO V60, 5-dr Estate, 11- (Without railing)	39 3/4"	1011 mm

4

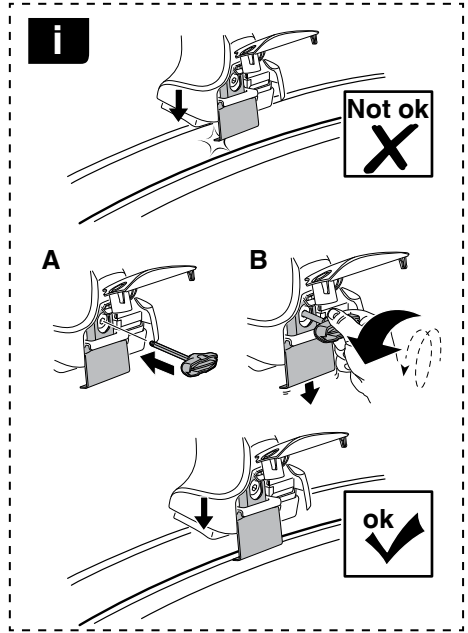


5

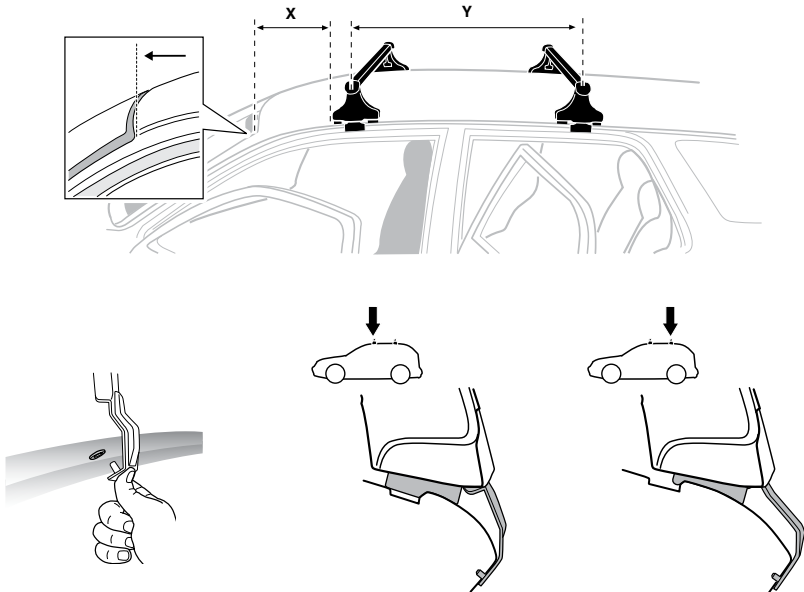
VOLVO V60, 5-dr Estate, 11- (Without railing)



6



	X mm	Y mm	X inch	Y inch
VOLVO V60, 5-dr Estate, 11- (Without railing)	200 mm	770 mm	7 7/8"	30 3/8"



7



GB/US Tighten alternately
 D Die Schrauben abwechselnd anziehen
 F Serrer alternativement chaque côté
 NL Afwisselend aan de linker- en de rechterkant aandraaien
 I Alternare il serraggio delle viti
 E Apertar alternativamente
 PT Aperte alternadamente
 S Dra åt växelvis
 FIN Kierrä vuorotellen
 EST Pinguldage vaheldumisi
 LAT Pieļieciet pamišus
 LIT Užsukinėkite pakaitomis
 PL Śruby dokręcaj naprzemiennie
 RU Затягивайте попеременно

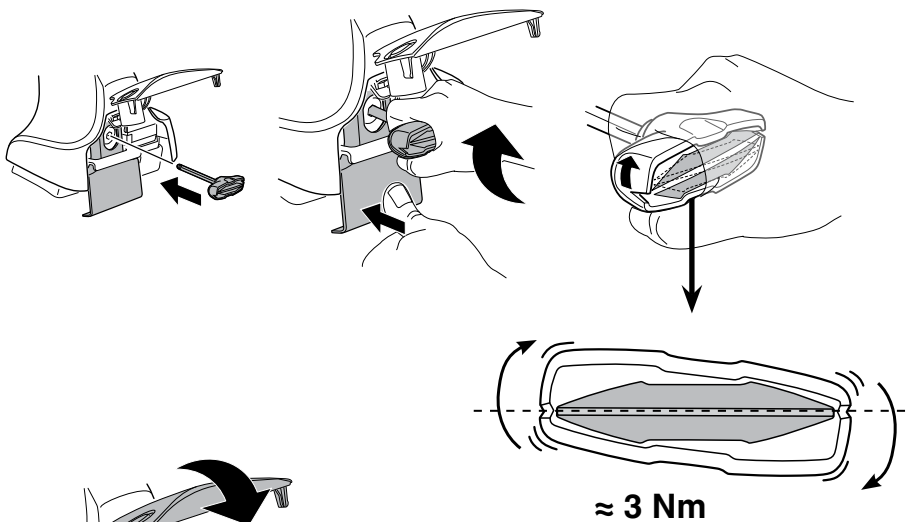
CZ Pokręťta bagażnika dokręcaj naprzemiennie.
 SK Dofahajte striedavo
 SLO Privijajte izmenično.
 HR Naizmjerno zategnite
 HU Egymástól függetlenül szorítandó
 GR Σφιγίγτες εναλλάξ
 TR Dönüşümlü sıkın

中文 交替拧紧

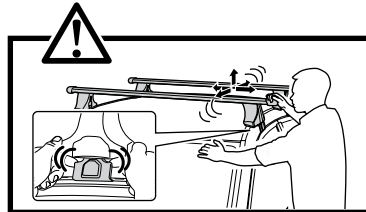
한국어 번갈아 가며 조이십시오.

日本語 交互に締め付けてください。

ไทย ชันในแบบสลับ



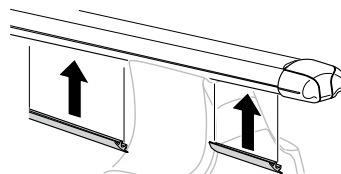
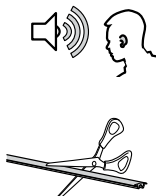
≈ 3 Nm



8



x1
17 mm

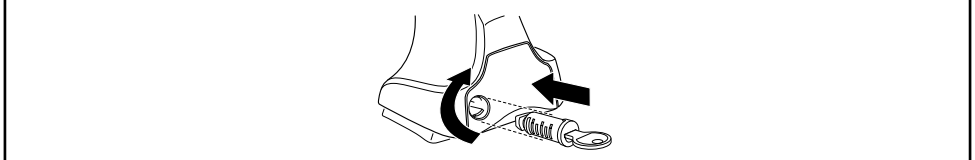




THULE
SWEDEN
**ONE
KEY
SYSTEM**



		(x4)
		(x6)
		(x8)
NA		(x10)
EUR		(x12)
ASIA		



WW ▶ Thule Sweden AB, Box 69, 330 33 Hillerstorp, SWEDEN
NA ▶ Thule Inc., 42 Silvermine Road, Seymour, Connecticut 06483, USA

info@thule.com
customer.service@thule.com

www.thule.com