

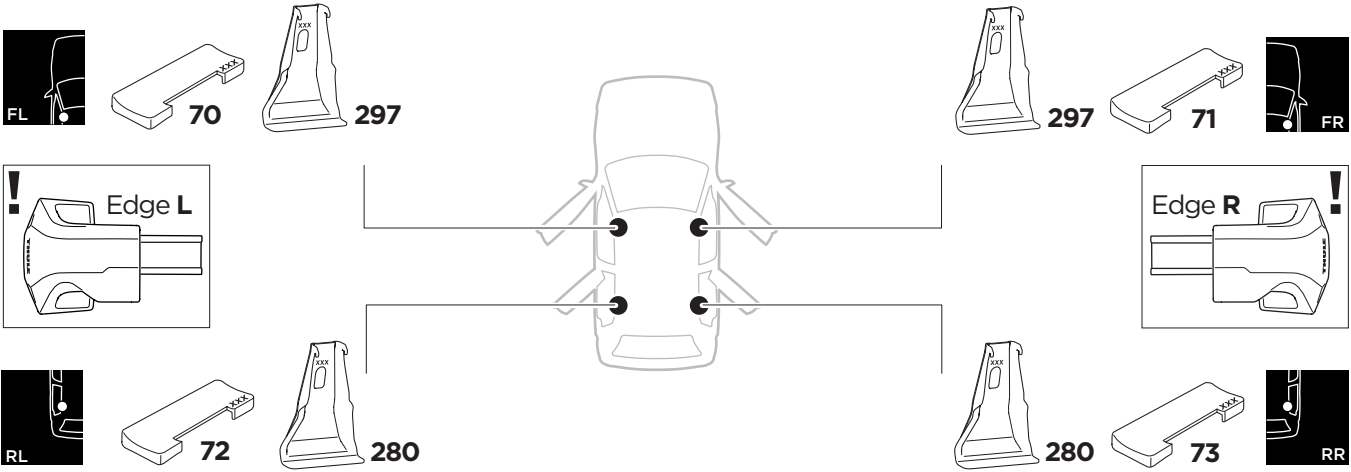
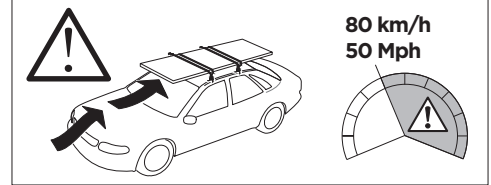
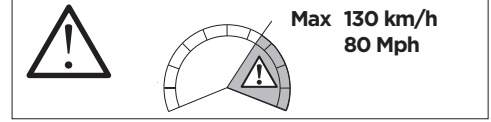
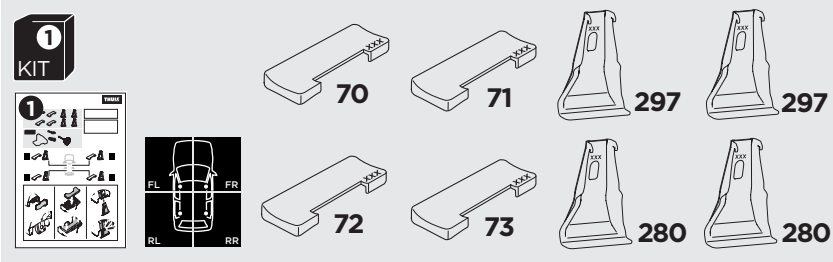
1

Kit 145014

FORD C-Max (Mk II), 5-dr MPV, 10-



ISO 11154-E





THULE WingBar Evo	THULE WingBar Edge	THULE WingBar	THULE SquareBar Evo	Evo X (scale)	Edge X (scale)
FORD C-Max (Mk II), 5-dr MPV, 10-				46,5	D
THULE ProBar Evo	THULE SlideBar Evo				X (mm/inch)
FORD C-Max (Mk II), 5-dr MPV, 10-				1116 mm / 43 7/8"	



THULE WingBar Evo	THULE WingBar Edge	THULE WingBar	THULE SquareBar Evo	Evo Y (scale)	Edge Y (scale)
FORD C-Max (Mk II), 5-dr MPV, 10-				37,5	D
THULE ProBar Evo	THULE SlideBar Evo				Y (mm/inch)
FORD C-Max (Mk II), 5-dr MPV, 10-				1026 mm / 40 3/8"	

	W (mm/inch)	Z (mm/inch)
FORD C-Max (Mk II), 5-dr MPV, 10-	765 mm / 30 1/8"	280 mm / 11"

